

**TECHNICAL DATA:**

Norminal Flow Rate: 440 GPM / 100 cubic m/hr at 2m Head Loss

Filter Area: 868 sq in / 5600 sq cm  
 Screen Size Available: 50, 80, 100, 120, 150, 200, 400, 800 micron

Max. Working Pressure: 150psi / 10 bar  
 Min. Upstream Line Pressure Required During Rinse Cycle: 30 psi / 2 bar

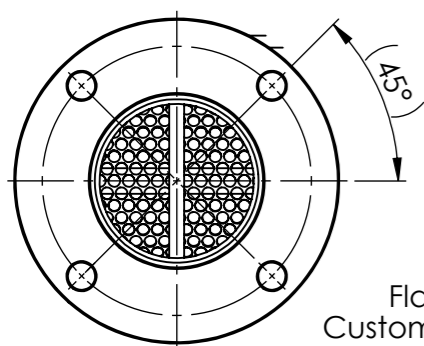
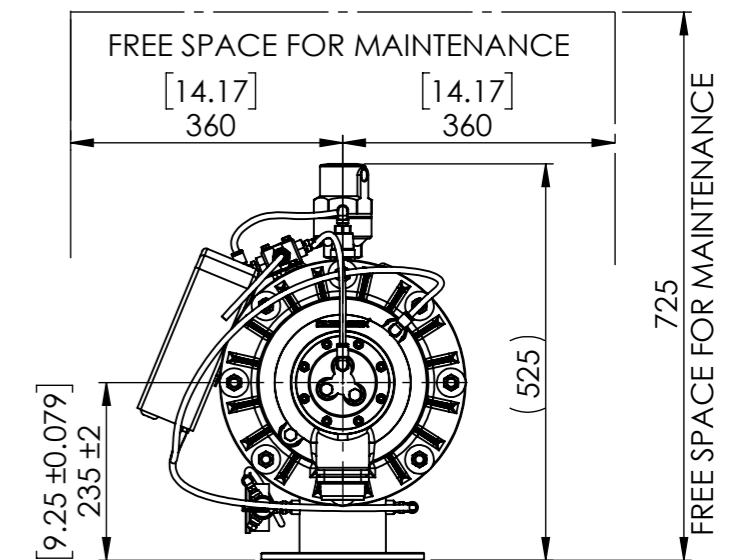
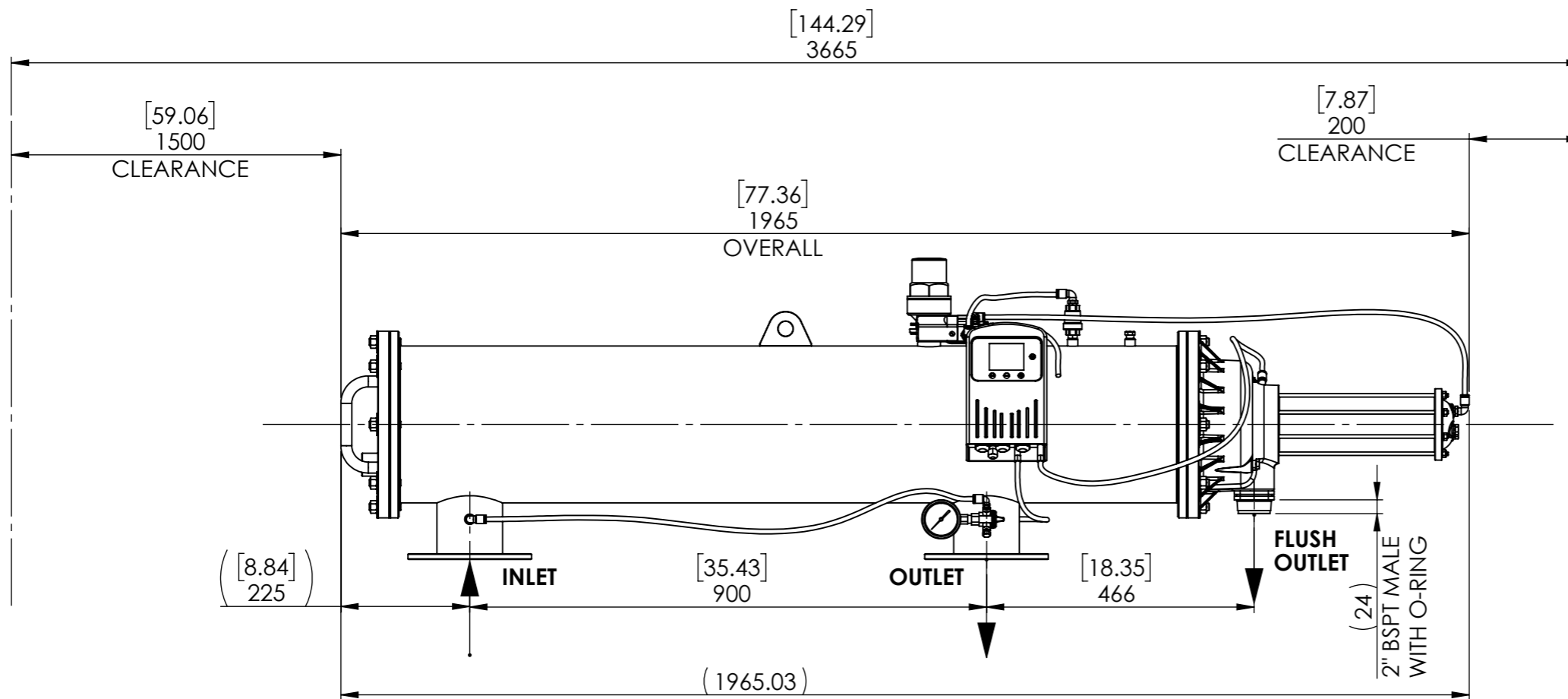
Max. Working Temperature: 150°F / 65°C

Approximate Rinse Cycle Time: 15 - 17 Sec.

Inlet & Outlet Connection: DN100 Table D / ISO PN10 / ANSI CL150

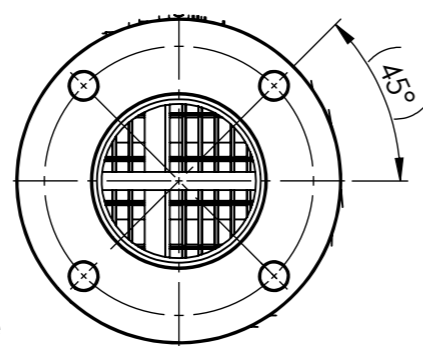
Flush Drain Outlet Connection: 2" BSPT Male  
 Main Drain Header: DN50 2" Norminal Bore

Approximate Weight: Empty ----- 188 lbs / 85 kg  
 Full of Water --- 364 lbs / 165 kg



Flange Details Depend  
 Customer Selected Flange Type

**INLET**



**OUTLET**

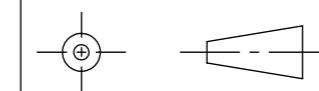
**PROPRIETARY AND CONFIDENTIAL**  
 THE INFORMATION CONTAINED IN THIS  
 DRAWING IS THE SOLE PROPERTY OF  
 FILTAWORX PTY. LTD. ANY REPRODUCTION  
 IN PART OR AS A WHOLE WITHOUT THE  
 WRITTEN PERMISSION OF FILTAWORX PTY.  
 LTD. IS PROHIBITED.

DIMENSIONS ARE IN [inches]/mm

MATERIAL  
 STAINLESS STEEL BODY  
 GLASS REINFORCED NYLON LID

FINISH

TOL. MACHINING	±0.25
TOL. ANGULAR	±0.25°



TITLE  
**FW100EX WATER FILTER**  
 AUTOMATIC SELF CLEANING  
 DN100 TABLE D / ISO PN10 / ANSI CL150

SIZE A3	DWG. NO. GA-04507-E	REV. 0
------------	------------------------	-----------

SCALE: 1:10. WEIGHT: SEE TECHNICAL DATA SHEET: 1 OF 1