



20 - 80mm Plastic Disc Filters

Triangle Filtration's Range of 20 - 80mm ($\frac{3}{4}$ " - 3") Plastic Disc Filters are suitable for virtually any domestic, agricultural or industrial application .

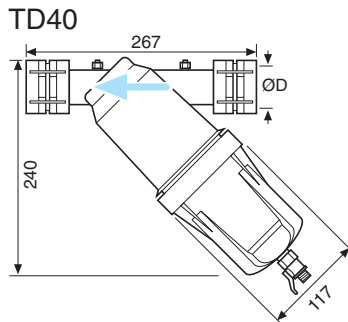
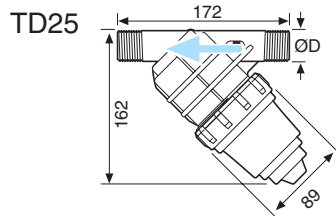
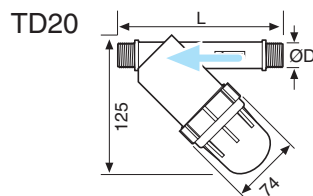
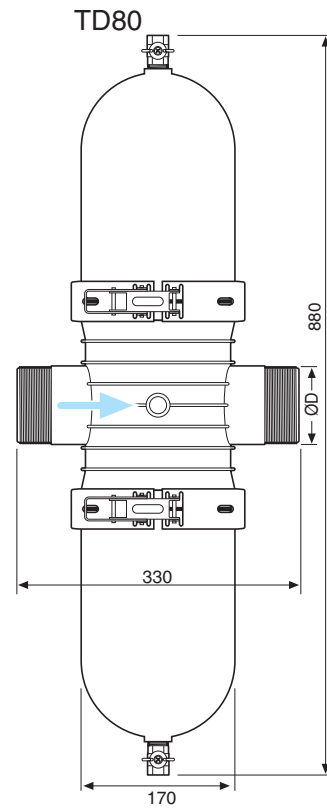
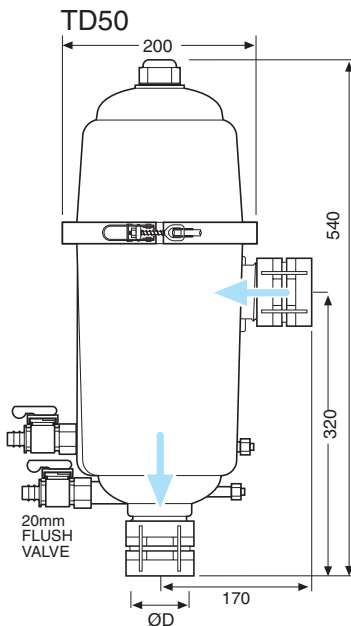
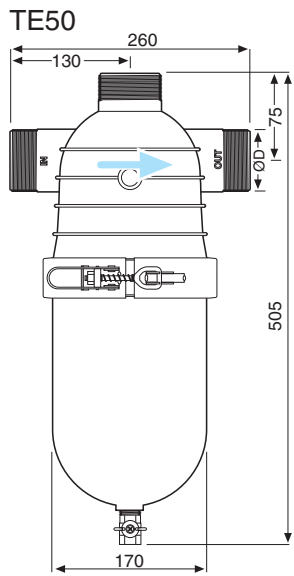


High Quality non-corrosive materials of construction, consisting of high impact strength plastics.

- ✓ A wide range of elements are available in a large variety of aperture sizes to suit each individual requirement.
- ✓ Quick easy access for cleaning.
- ✓ Grooved Disc, rigid filter elements.
- ✓ Large effective filter area to reduce cleaning intervals.

20-80mm Plastic Disc Filters

TECHNICAL DATA



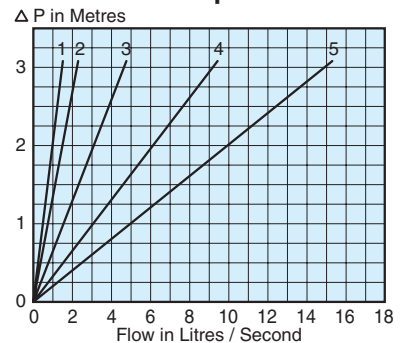
Construction:

- Body: Polyacetal
- Discs: Polyethelene
- Disc Holder: Polypropylene
- 'O' Rings: Nitrile Rubber
- Clamp: Stainless Steel

Specifications

Model No.	Nominal Size øD		Nominal Flow		Filter Area cm ²	Maximum Pressure Bar	Head Loss Graph	Weight Kg	Mesh Sizes Available
	Inch	mm	l/sec	m ³ /Hr					
TD20	3/4	20	0.8	3	159	6	1	0.28	120
TD25	1	25	1.4	5	206	8	2	0.38	120
TD40	1 1/2	40	3.3	12	463	8	3	1.22	120,40
TE50	2	50	5.6	20	950	8	4	4.40	120,80
TD50	2	50	6.9	25	1315	8	4	4.55	120,40
TD80	3	80	11.0	40	1900	8	5	8.80	120,80

Head Loss Graph



TRIANGLE FILTRATION

ABN 31 007 023 323

17 Hinkler Road,
Mordialloc, Vic. 3195, Australia.

Ph: (03) 9580 2122

Fax: (03) 9580 3131

Email: triangle@filtomat.com.au

www.filtomat.com.au

AVAILABLE FROM