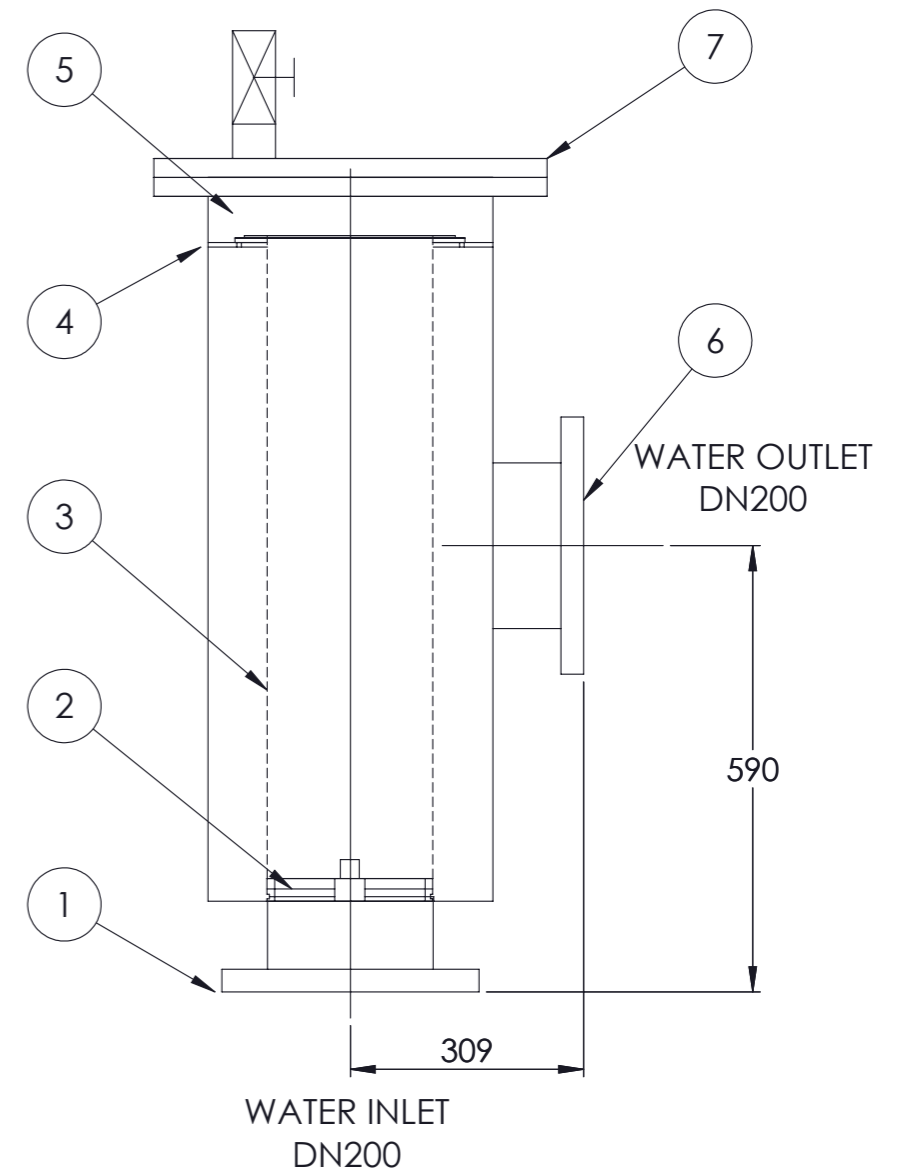
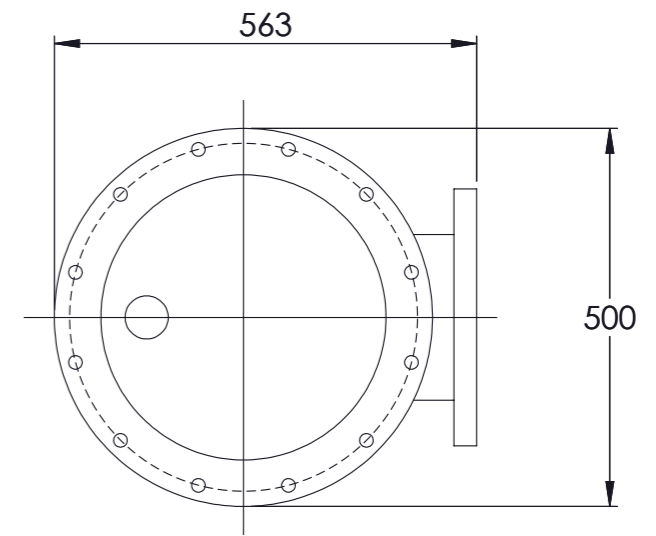


ITEM	PART No.	DESCRIPTION	QTY	Material
1	DN200	Flange	1	Carbon Steel
2		Supporting Ring	1	304
3	Ø219 x 800	Screen	1	304
4		Screen Fix Plate	1	Carbon Steel
5	DN50	Drain Out	1	Carbon Steel
6	DN200	Flange	1	Carbon Steel
7	DN350	Cover	1	Carbon Steel


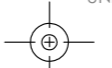



TECHNICAL DATA		
Nominal Flow Rate (at 2m Head Loss)	m <sup>3</sup> / hr	300 m <sup>3</sup> /hour
	L / s	83 L/sec
Approximate Weight	Empty	100 kg
Inlet & Outlet Connections (Standard Flanges)	AS 2129	DN200 Table D

Filter Area: 5500 m<sup>2</sup>

Max. Working Pressure: 10 bar  
Max. Working Temperature: 55 C

<b>PROPRIETARY AND CONFIDENTIAL</b>		MATERIAL	AS SHOWN IN DETAIL DRAWING
THE INFORMATION CONTAINED IN THIS DRAWING IS THE SOLE PROPERTY OF FILTAWORX PTY. LTD. ANY REPRODUCTION IN PART OR AS A WHOLE WITHOUT THE WRITTEN PERMISSION OF FILTAWORX PTY. LTD. IS PROHIBITED.		FINISH	EPOXY COATED
NEXT ASSY	USED ON	APPLICATION	
		DO NOT SCALE DRAWING	

NAME	DATE	TITLE	
DRAWN SD	1/12/2021	 <b>200MM SCREEN</b> <b>FILTER 90 DEG</b>	
CHECKED -	-		
ENG APPR. -	-		
MFG APPR. -	-		
Q.A. -	-		
DIMENSIONS ARE IN mm TOLERANCES: ±0.25 MACHINING ±0.25° ANGULAR UNLESS OTHERWISE SPECIFIED		SIZE	DWG. NO.
 		A3	FWS1-200
SCALE: N.T.S.	WEIGHT: approx. 100 kg	SHEET: 1 OF 1	REV. 0